

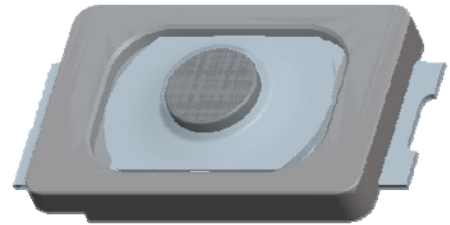
TS-001A Series

■ Features

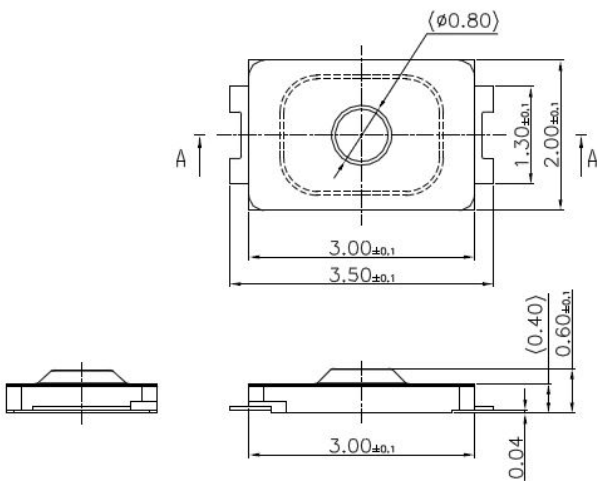
- Small space on a PCB and light weight
- Dimensions: 3.0(x) * 2.0(y) * 0.6(z)mm,
- Low contact resistance
- On board mounting
- Strong durability

■ Application

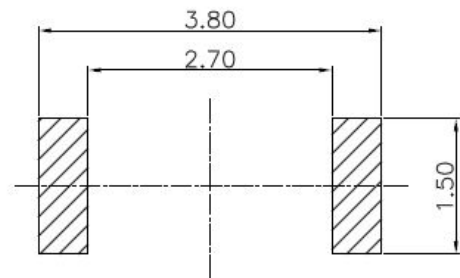
- Smart phone, Mobile equipment, etc



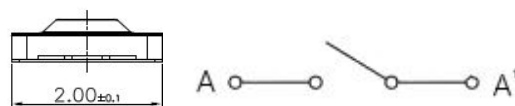
■ 2D Drawing



■ (Recommended) PCB Layout



PCB layout(Recommended)



Circuit diagram

* () dimension is reference

* Size: 3.0(x) * 2.0(y) * 0.6 (z)

→ 3.0 * 2.0 : without the film

* Embossed taping

■ Specification

| Model | TS-001A | |
|-----------------------|------------------------|--------------|
| | TS-001A-160M | TS-001A-240M |
| Maximum rating | DC 12V 50mA | |
| Contact resistance | 100mΩ or less | |
| Insulation resistance | 100MΩ or more | |
| Withstanding voltage | AC 250V for one minute | |
| Bounce | 10ms or less | |
| Stroke | 0.13 ± 0.05mm | |
| Operating force | 160g ± 30g | 240g ± 30g |
| Operating life | 300,000 | 500,000 |