



### TS-004A Series

#### ■ Features

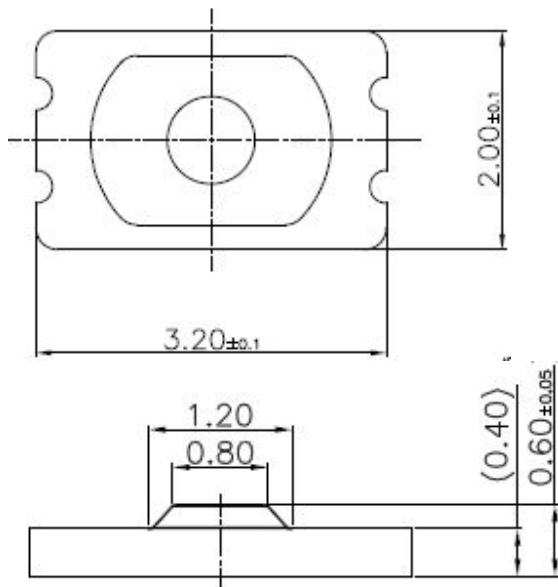
- Compact and thin switch
- Dimensions: 3.2(x) \* 2.0(y) \* 0.6(z)mm, - Good tactile feeling
- Strong durability, Waterproof.
- Offering high reliability with the built-in actuator structure.

#### ■ Application

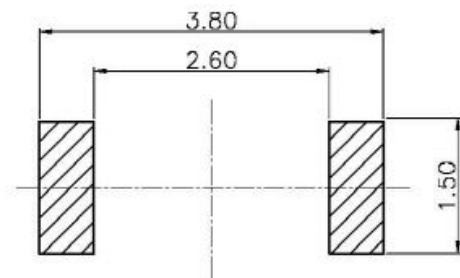
- Smart phone, Mobile equipment, etc



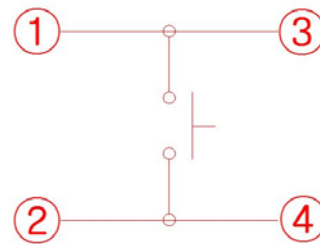
#### ■ 2D Drawing



#### ■ (Recommended) PCB Layout



PCB layout(Recommended)



Circuit diagram

\* ( ) dimension is reference

\* Embossed taping

■ Specification

Model	TS-004A	
	TS-004A-160P	TS-004A-240P
Maximum rating	DC 12V 50mA	
Contact resistance	100mΩ or less	
Insulation resistance	100MΩ or more	
Withstanding voltage	AC 250V for one minute	
Bounce	10ms or less	
Stroke	0.13 ± 0.05mm	
Operating force	160g ± 30g	240g ± 30g
Operating life	300,000 or more	500,000 or more