

TS-002A Series

■ Features

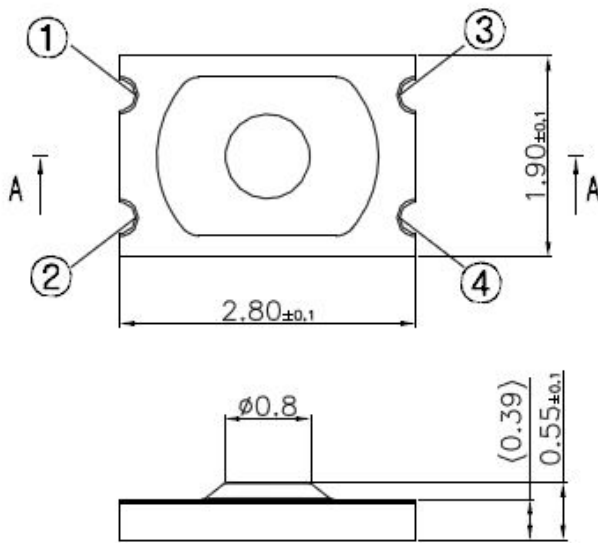
- Ultra small and thin switch
- Dimensions: 2.8(x) * 1.9(y) * 0.55(z)mm, - Low contact resistance
- Strong durability, Waterproof.
- Offering high reliability with the built-in actuator structure.

■ Application

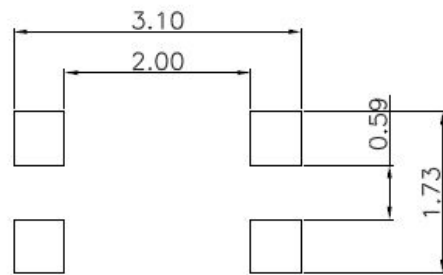
- Smart phone, Mobile equipment, etc



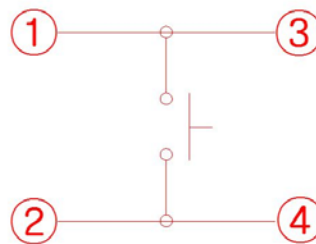
■ 2D Drawing



■ (Recommended) PCB Layout



Land Dimensions



Circuit diagram

* () dimension is reference

* Embossed taping

■ Specification

Model	TS-002A	
	TS-002A-160P	TS-002A-240P
Maximum rating	DC 12V 50mA	
Contact resistance	100mΩ or less	
Insulation resistance	100MΩ or more	
Withstanding voltage	AC 250V for one minute	
Bounce	10ms or less	
Stroke	0.13 ± 0.05mm	
Operating force	160g ± 30g	240g ± 30g
Operating life	300,000 or more	500,000 or more