

**TS-005 Series**

**■ Features**

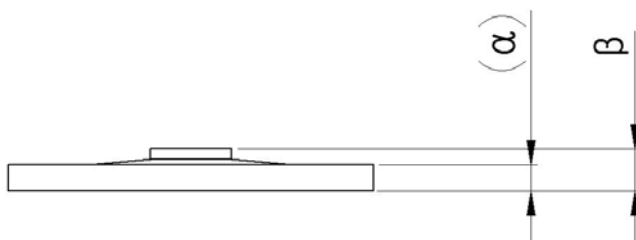
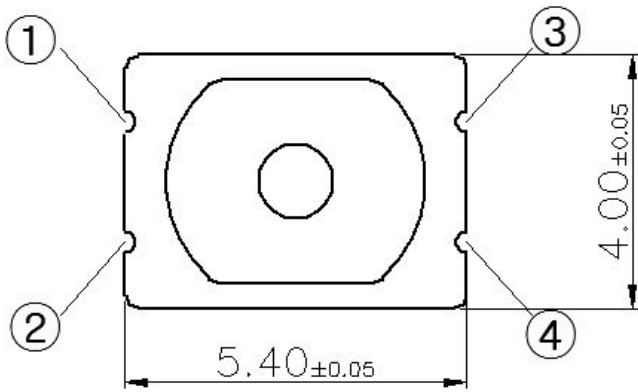
- Ultra-thin switch, long strokes.
- Dimensions: 5.4(x) \* 4.0(y) \* β (z) mm, - Waterproof.
- On board mounting
- Very strong durability

**■ Application**

- Smart phone(Home key), Mobile equipment, etc

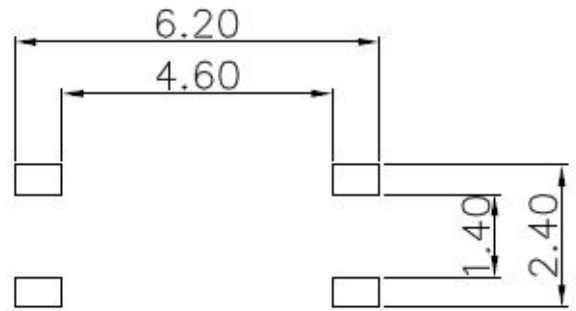


**■ 2D Drawing**

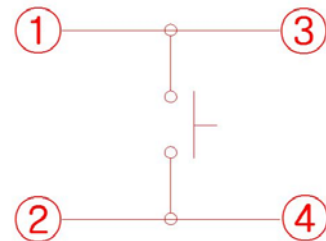


	TS-005A	TS-005B
α	0.4	0.45
β	0.63	0.78

**■ (Recommended) PCB Layout**



Land Dimensions



Circuit diagram

\* ( ) dimension is reference

\* Embossed taping

■ Specification

Model	TS-005	
	TS-005A-240P	TS-005B-240P
Height	0.63 ± 0.05mm	0.78 ± 0.05mm
Maximum rating	DC 12V 50mA	
Contact resistance	100mΩ or less	
Insulation resistance	100MΩ or more	
Withstanding voltage	AC 250V for one minute	
Bounce	10ms or less	
Stroke	0.24 ± 0.05mm	
Operating force	240g ± 30g	
Operating life	1,000,000 or more	